

# JVC

D-ILA PROJECTORS

DLA-X9000

DLA-X7000

DLA-X5000

## Ultimate High Dynamic Range & 4K Technology



### <Main Features>

- Highest brightness in class\* delivered by new high power lamp (X9000 1,900lm, X7000 1,800lm, X5000 1,700lm)
- Industry leading contrast ratio (X9000 150,000:1, X7000 120,000:1, X5000 40,000:1)
- HDR (High Dynamic Range) Compatibility
- Compatibility to latest standard of HDMI/HDCP2.2
- New "Multi Pixel Control" reproducing natural and expressive 4K images
- Newly developed blur reduction technology "Motion Enhance"
- "Auto Calibration Function" to optimize the picture depending on the various setting environments

\*Home Theatre Projectors priced between EUR 10,000 and EUR 3,000

**D-ILA**<sup>®</sup> **4K**  
e-shift4

◆ **Highest brightness in class\* delivered by new high power lamp** (X9000 :1,900lm, X7000: 1,800lm, X5000 :1,700lm)

With the new 265W high power lamp, the latest JVC projectors can produce powerful images with greatly increased brightness compared to our current X500, X700 and X900 series models. This large brightness boost helps deliver clear images on big screens, even under ambient light environments such as found in living room installations.

\*Home Theatre Projectors priced between EUR 10,000 and EUR 3,000

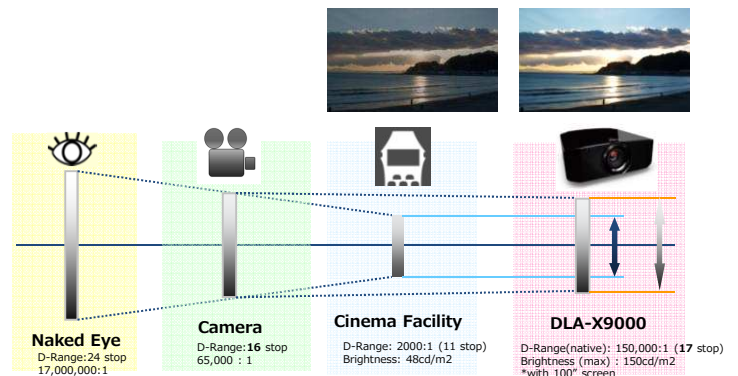
◆ **Industry leading contrast ratio**

JVC continues to hold the industry's leading native contrast ratio. This is achieved by combining a new optical engine optimized for usage with the JVC D-ILA device, with the high power lamp, plus JVC's user-selectable Intelligent Lens Aperture to further boost contrast.

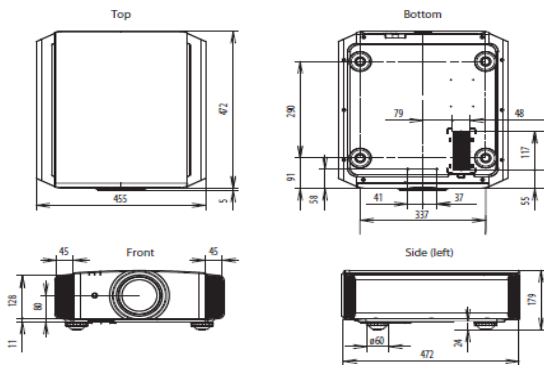
Model	Contrast (Native)	Contrast (Dynamic)
X9000	150,000:1	1,500,000:1
X7000	120,000:1	1,200,000:1
X5000	40,000:1	400,000:1

◆ **HDR (High Dynamic Range) compatibility**

HDR (High Dynamic Range) Basically this means a larger range between the brightest whites and darkest blacks and wider colour gamut. The combination of high brightness power lamp, and JVC's inherent high native contrast capability means the new JVC projectors can reproduce highlights and detail in dark scenes, which are simply incomparable to conventional projectors.



External Dimensions (unit: mm)



Screen diagonal (inch)	Display size (16:9)		Projection distance	
	W (mm)	H (mm)	Wide (m)	Tall (m)
60	1,128	747	1.78	3.66
70	1,349	872	2.09	4.36
80	1,571	996	2.40	4.89
90	1,792	1,121	2.70	5.61
100	2,014	1,246	3.01	6.18
110	2,235	1,370	3.31	6.76
120	2,456	1,494	3.62	7.36
130	2,678	1,619	3.92	7.98
140	2,899	1,743	4.23	8.59
150	3,120	1,868	4.53	9.22
160	3,342	1,992	4.84	9.84
170	3,563	2,117	5.14	10.46
180	3,784	2,241	5.45	11.07
190	4,006	2,365	5.75	11.68
200	4,227	2,490	6.06	12.30

Optional Equipment



Connectors



	DLA-X5000	DLA-X7000	DLA-X9000
Device	0.7inch Full HD D-ILA x3		
e-shift	e-shift4		
Resolution	3840 x 2160		
Lens	X2 Zoom & Focus : Motorized : f=21.4-42.8mm / F3.2-4		
Lens Shift	±80% Vertical & ±34% Horizontal (Motorized)		
Lamp	NSH 265W (PK-L2615U)		
Brightness (Max.)	1700lm	1800lm	1900lm
Contrast (Native)	40,000:1	120,000:1	150,000:1
Contrast (Dynamic)	400,000:1	1,200,000:1	1,500,000:1
Terminal	HDMI	2 (HDMI2.0a / HDCP2.2)	
	RS-232C / LAN	1(D-sub 9pin) / 1(RJ45)	
	Trigger	1(Mini jack, DC12V/100mA)	
	3D sync	1 (Mini Din 3pin)	
Power Consumption	380W		
Fan Noise	23dB (TBD)		
Dimension	(W)455 x (H)179 x (D)472 mm		
Weight	14.7 kg(TBD)	15 kg(TBD)	15 kg(TBD)

\* D-ILA is a registered trademark of JVC KENWOOD Corporation. \* e-shift is a registered trademark of JVC KENWOOD Corporation. \* The projector is equipped with an ultra-high pressure mercury lamp, which may break, emitting a loud noise, when it is subjected to shock or after it has been used for some length of time. \* Please note that, depending on how the projector is used, there can be considerable difference between individual lamps regarding how many hours they will operate before requiring replacement. \* An additional payment is required for installation of a new lamp, if necessary. \* The projector lamp requires periodic replacement and is not covered by warranty. \* Please be aware, because the D-ILA device is manufactured using highly advanced technologies, 0.01% or fewer of the pixels may be non-performing (always on or off).

Design and specifications are subject to change without notice. All pictures on this brochure are simulated. Adobe is a trademark or registered trademark of Adobe Systems Incorporated in the U.S. and/or other countries. ISF is a registered trademark of Imaging Science Foundation, Inc. THX and THX logo are trademarks of THX Ltd., which may be registered in some jurisdictions. HDMI, the HDMI logo and High-Definition Multimedia Interface are registered trademarks of HDMI Licensing LLC. All other brand or product names may be trademarks and/or registered trademarks of their respective owners. Any rights not expressly granted herein are reserved.

Copyright © 2013, JVC KENWOOD Corporation. All Rights Reserved.



DISTRIBUTED BY

www.jvc.com